

**Series 2, wall-mounted cooker hood,
90 cm
DWB94BC51B**



DWZ1DX114 Clean Air Standard recirculation kit, DWZ1DX116 Clean Air Plus recirculation kit, DWZ1FX5D1 Long Life recirculation kit external, DZZ0XX0P0 Long Life odor filter (replacement), DZZ1XX1B6 Clean Air Plus odor filter (replacement), DHZ9550 Brushed steel back panel, DWZ0DX0U0 Standard recirculation kit, DWZ0XX0J0 Long Life recirculation kit, DWZ1DX1B4 Clean Air Standard odor filter (repl.), DHZ1225 Chimney extension 1000 mm, DHZ1235 Chimney extension 1500 mm, DHZ9551 Brushed steel back panel, DWZ0DX0A0 Standard odor filter (replacement), DWZ1FX5C6 Clean Air Plus recirc. kit external

Box-design hood: performance and matching kitchen design bundled in one hood.

- **Silent:** maximal extractor performance with little noise
- **Grease filtration level:** filters out over 85% of the grease from kitchen air
- **LED-Illumination:** The energy-saving lighting provides white and good lighting for the hob area.
- **With exhaust, the air is cleaned by a grease filter and then ducted to the outside which ensures optimal kitchen air quality.**
- **3-Speed Power Level Options To Suit Your Cooking Style And Recipes**

Typology:Wall-mounted
 Length electrical supply cord: 130.0 cm
 Height of the chimney: 583-912/583-1022 mm
 Height of product, without chimney: 53 mm
 Net weight: 12.9 kg
 Type of control:mechanical
 Number of speed settings:3
 Max. air extraction: 365 m³/h
 Max. air recirculation: 240 m³/h
 Number of lights:2
 Noise level:64 dB(A) re 1 pW
 Diameter of air outlet: 120 / 150 mm
 Grease filter material: Washable stainless steel
 Odour filter: No
 Operating Mode:Convertible
 Optional accessories: DWZ1DX114, DWZ1DX116, DWZ1FX5D1, DZZ0XX0P0, DZZ1XX1B6, DHZ9550, DWZ0DX0U0, DWZ0XX0J0, DWZ1DX1B4, DHZ1225, DHZ1235, DHZ9551, DWZ0DX0A0, DWZ1FX5C6
 Type of lamps used: LED
 Grease filter type:Kassette
 Connection rating: 100 W
 Fuse protection:10 A
 Voltage: 220-240 V
 Frequency: 50; 60 Hz
 Plug type:GB plug
 Installation typology:Wall-mounted
 Material body: Stainless steel
 Plug type: GB plug
 Dimensions of the product, with chimney (if exists) (in):x x
 Dimensions of the packed product: 19.29 x 25.59 x 40.55
 Net weight:28.000 lbs
 Gross weight: 40.000 lbs
 Motor location: Integrated motor in hood chimney
 No-return airflow flap: No
 Length electrical supply cord: 130.0 cm
 Dimensions of the product, with chimney (if exists): .635-1075 MM x 900.0 x 500.0 mm
 Dimensions of the packed product (HxWxD): ... 490 x 650 x 1030 mm
 Net weight: 12.9 kg
 Gross weight: 18.2 kg



Series 2, wall-mounted cooker hood, 90 cm DWB94BC51B

Box-design hood: performance and matching kitchen design bundled in one hood.

- DWB94BC51B
- Chimney hood, 90 cm
- Box common design - stainless steel

Variant:

Design:

- Chimney hood
- Wall mounted hood
- Appliance colour: stainless steel
- 90 cm Chimney hood
- 900 mm width

Comfort:

- Suitable for ducted or re-circulated extraction
- For recirculated extraction or CleanAir recirculation kit (accessory) needed
- push buttons for extractor speeds and light
- 3 speeds via push buttons
- 3 speeds
- Twin channel high performance fan motor
- Metal grease filter, dishwasher safe

Power:

- Power rating: 100 W

Environment and safety:

- Energy Efficiency Class: D*
- Average Energy Consumption: 53.1 kWh/year*
- Blower Efficiency Class: E*
- Lighting Efficiency Class: A*
- Grease Filtering Efficiency Class: B*
- Ducted extraction rate according to DIN/EN 61591 max. 365 m³/h
- Max. extraction rate: 365 m³/h
- Maximum extraction rate exhaust air 365 m³/h according to EN 61591
- Extraction rate in recirculation mode:
- Max. normal use: 196 m³/h
- Noise level according to EN 60704-3 und EN 60704-2-13 at max. normal use exhaust air: 64 dB(A) re 1 pW (51 dB(A) re 20 µPa sound pressure)
- Noise level in recirculation mode:
- Max. normal use: 66 dB(A) re 1 pW (53 dB(A) re 20 µPa sound pressure)
- Noise min./max. Normal Level: 49/64 dB*
- 2 x 1,5W LED
- Light Intensity: 91 lux
- Colour Temperature: 3500 K

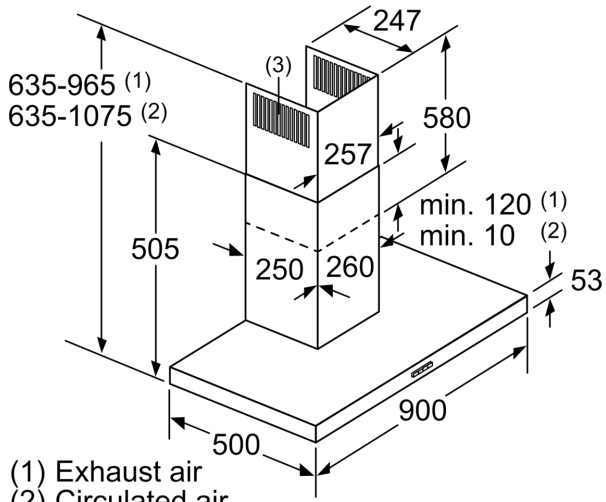
Measures:

- Dimensions exhaust air (HxWxD): 635-965 x 900 x 500 mm

- Dimensions recirculating (HxWxD): 635-1075 x 900 x 500 mm
- Dimensions recirculating with CleanAir module (HxWxD):
- 703 x 900 x 500mm - mounting with outer chimney
- 833-1163 x 900 x 500 mm - mounting with telescopic chimney
- Dimensions recirculating with cleanAir module (HxWxD):
- 703 x 900 x 500mm - mounting with outer chimney
- 833-1163 x 900 x 500 mm - mounting with telescopic chimney
- Dimensions recirculating with CleanAir module (HxWxD):
- 703 x 900 x 500mm - mounting with outer chimney
- 833-1163 x 900 x 500 mm - mounting with telescopic chimney
- Diameter pipe Ø 150 mm (Ø 120 mm enclosed)
- Electrical cable length 1.3 m

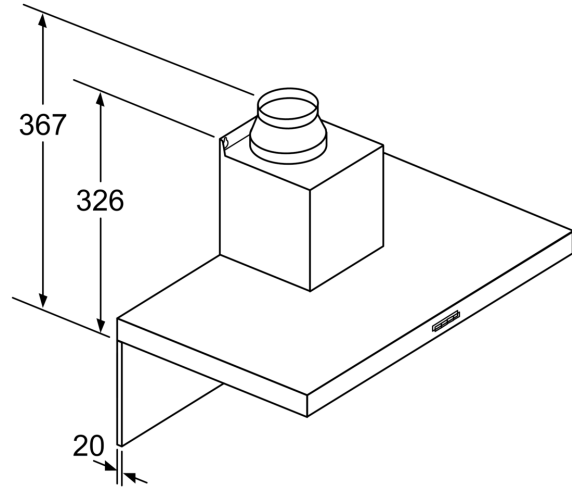
* In accordance with the EU-Regulation No 65/2014

**Series 2, wall-mounted cooker hood,
90 cm
DWB94BC51B**



- (1) Exhaust air
- (2) Circulated air
- (3) Air outlet – slots for exhaust air to be mounted facing down

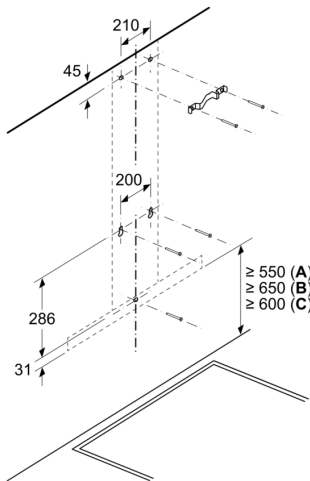
measurements in mm



If a back panel is used, the design of the appliance must be considered.

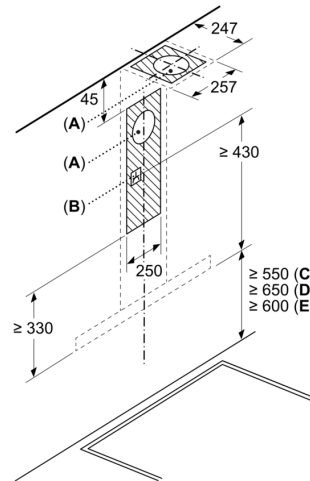
measurements in mm

Measurements in mm



- A: Electric
- B: Gas - from upper edge of pan support
- C: Electric - for Australia and New Zealand

Measurements in mm



- A: Exhaust air outlet
- B: Socket
- C: Electric
- D: Gas - from upper edge of pan support
- E: Electric - for Australia and New Zealand