

**Series 8, Built-in warming drawer, 60
x 14 cm, Stainless steel
BIC630NS1B**



**The multifunctional 14cm warming drawer
pre-heats plates, keeps food warm and
even cooks at low temperatures.**

- **Push-pull mechanism:** easy opening and closing thanks to a clever spring mechanism.
- **Cleaning convenience:** Easy to clean hotplate made of tempered glass.

Technical Data

Installation type:Built-in
Maximum number of plates: 12
Maximum number of espresso cups: 64
Dimensions: 140 x 594 x 548 mm
Dimensions of the packed product (HxWxD): 200 x 640 x 660 mm
Min. required niche size for installation (HxWxD): 140 x 560 x 550 mm
EAN code:4242002813875
Fuse protection:10 A
Voltage: 220-240 V
Frequency: 60; 50 Hz
Plug type:GB plug



Series 8, Built-in warming drawer, 60 x 14 cm, Stainless steel BIC630NS1B

**The multifunctional 14cm warming drawer
pre-heats plates, keeps food warm and
even cooks at low temperatures.**

Design

- Push-pull opening mechanism
- Easy to clean toughened glass heating plate
- Can accommodate up to:
 - -12plates
 - -64 espresso cups
- Rotary dial
- Temperature control in 4 levels: ca. 30°C - 80°C (glass surface temperature)

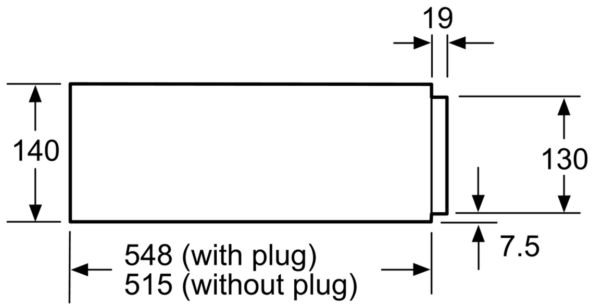
Programmes/functions

- 5 functions: dough proving thawing of delicate foods keeping drinks and food warm pre-warming of crockery gentle cooking

Performance/technical information

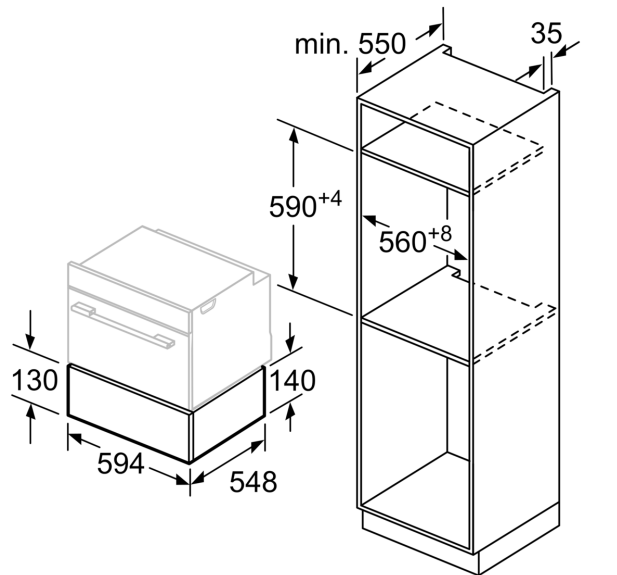
- Cavity volume: 20 l
- Loading up to 25 kg
- Power cord length 150 cm Cable length
- Total connected load electric: 0.81 KW
- Nominal voltage: 220 - 240 V
- Appliance dimension (hxwxd): 140 mm x 594 mm x 548 mm
- Niche dimension (hxwxd): 140 mm x 560 mm - 568 mm x 550 mm
- Please refer to the dimensions provided in the installation manual

**Series 8, Built-in warming drawer, 60
x 14 cm, Stainless steel
BIC630NS1B**



Compact ovens with an appliance height of 455 mm can be installed above a warming drawer. An intermediate floor is not required.

measurements in mm



measurements in mm