

**Serie | 6, Built-In Microwave, 60 x 38  
cm  
BFL524MS0**



- **AutoPilot 7:** every dish is a perfect success thanks to 7 pre-set automatic programmes.

---

**Technical data**

Type of control : Electronic  
Cavity dimensions : 201.0 x 308.0 x 282.0 mm  
Length electrical supply cord : 130 cm  
Net weight : 17.0 kg  
Gross weight : 18.8 kg  
Approval certificates : CE, Eurasian, Ukraine  
: 800 W  
Number of Power Levels : 5  
Turntable : Yes  
Cavity material : Stainless steel  
Door opening : Button  
Clock : Yes  
Included accessories : 1 x Turntable  
: 382 mm  
: 594 mm  
: 317 mm  
: 800 W  
: 1270 W  
Fuse protection : 10 A  
Voltage : 220-230 V  
Frequency : 50 Hz  
Plug type : GARDY plug w/ earthing  
Approval certificates : CE, Eurasian, Ukraine  
Appliance Dimensions (h x w x d) (in) : x x  
Dimensions of the packed product : 17.32 x 14.96 x 25.59  
Net weight : 37.000 lbs  
Gross weight : 41.000 lbs

---

**Included accessories**

1 x Turntable



## Serie | 6, Built-In Microwave, 60 x 38 cm BFL524MS0

---

### **Microwave and heating mode:**

- Max. Power: 800 W; 5 Microwave power settings: 90 W, 180 W, 360 W, 600 W, 800 W
- Cavity volume: 20 l

### **Design:**

- stainless steel cavity

### **Comfort:**

- Rotary Control, Pop-out controls, Touch control
- Touch key operation
- LED display control
- electronic clock
- User-friendly electronics: extremely easy and comfortable operation
- cookControl, 7
- 4 defrost and 3 cooking programmes in microwave function
- memory function (1 setting)
- Interior lighting
- Glass tray diameter: 25.5 cm
- Bottom, Oven door with SoftClose, Soft opening

### **Accessory:**

- 1 x Turntable

### **Environment and Safety:**

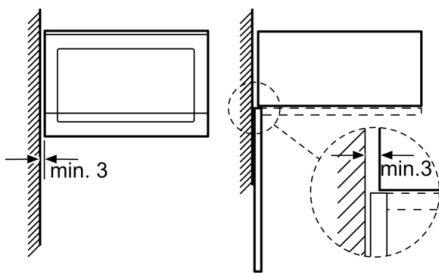
- Child lock  
Automatic switch off  
Start-/Stop button  
Door contact switch
- Integral cooling fan
- Length of mains cable: 130 cm
- Total connected load electric: 1.27 KW
- Nominal voltage: 220 - 230 V
- Tall housing, Can be built in a 60 cm wall cupboard (at least 30cm deep)

### **Dimensions:**

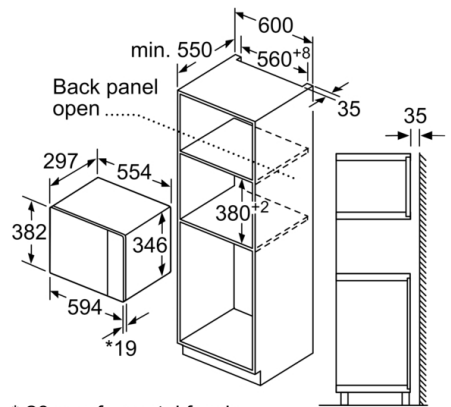
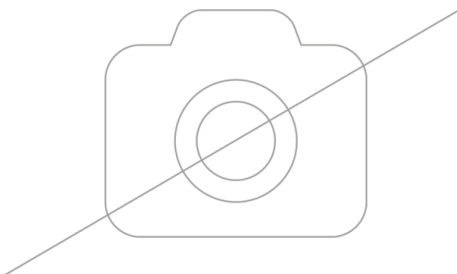
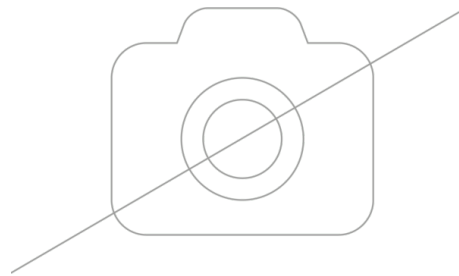
- Appliance dimension (H x W x D): 382 mm x 594 mm x 317 mm
- Niche dimension (hxwd): 560 mm - 568 mm x 450 mm - 455 mm x 550 mm
- "Please reference the built-in dimensions provided in the installation drawing"

**Serie | 6, Built-In Microwave, 60 x 38 cm**  
**BFL524MS0**

Microwave,  
 corner installation

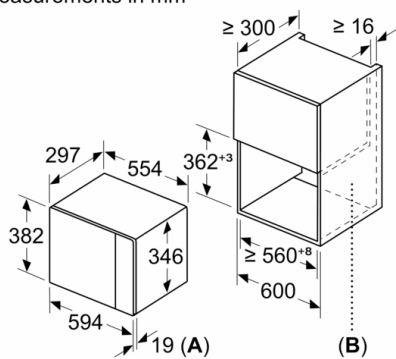


Measurements in mm



\* 20 mm for metal fascia  
 measurements in mm

measurements in mm



**A:** 20 mm for metal fascia  
**B:** Back panel open