

**Series 6, Built-in Microwave Oven, 59  
x 38 cm, Stainless steel  
BEL554MS0B**



**Included accessories**

1 x grid  
1 x Turntable

**The built-in microwave for the 38 cm niche:  
use it for thawing, heating and faster  
preparation of foods.**

- **Microwave function:** time saving preparation, defrosting and re-heating of dishes.
- **pop-out controls:** for an easy to clean front.

**Technical Data**

Type of micro-wave oven : MW+Grill function  
Type of control : Electronic  
Color / Material Front : Stainless steel  
Dimensions (HxWxD) : 382 x 594 x 388 mm  
Cavity dimensions : 208.0 x 328.0 x 369.0 mm  
Length electrical supply cord : 130.0 cm  
Net weight : 17.8 kg  
Gross weight : 21.6 kg  
Maximum micro-wave power : 900 W  
Number of power levels : 5  
Turntable : Yes  
Cavity material : Stainless steel  
Door opening : Button  
Clock : Yes  
Included accessories : 1 x grid, 1 x Turntable  
Main colour of product : Stainless steel  
Height of the appliance : 382 mm  
Width of the appliance : 594 mm  
Depth of the product : 388 mm  
Maximum micro-wave power : 900 W  
Connection Rating : 1450 W  
Fuse protection : 10 A  
Voltage : 230-240 V  
Plug type : GB plug  
Color / Material Front : Stainless steel  
Required cutout/niche size for installation (in) : x  
Dimensions of the packed product : 17.71 x 17.71 x 25.98  
Net weight : 39.000 lbs  
Gross weight : 48.000 lbs  
Included accessories : 1 x grid, 1 x Turntable



**Series 6, Built-in Microwave Oven, 59 x 38 cm, Stainless steel  
BEL554MS0B**

**The built-in microwave for the 38 cm niche:  
use it for thawing, heating and faster  
preparation of foods.**

**Dimensions:**

- Dimensions of the product (HxWxD mm) : 382 x 594 x 388
- Niche dimension (HxWxD): 380 mm - 382 mm x 560 mm - 568 mm x 550 mm
- "Please refer to the built-in dimensions provided in the installation drawing"

**Microwave and heating mode:**

- Max. Power: 900 W; 5 Microwave power settings: 90 W, 180 W, 360 W, 600 W, 900 W
- Grill 1200 W
- Grill and microwave power levels 90 W, 180 W, 360 W combinable
- Microwave and grill for separate use
- Cavity volume: 25 l

**Design**

- stainless steel cavity

**Comfort**

- LED
- electronic clock
- User-friendly electronics: extremely easy and comfortable operation
- AutoPilot 8
- 4 defrost and 3 cooking programmes in microwave function, 1 programme for combination function
- Memory function (1 setting)
- LED light
- 31.5 cm Glass
- side opening door, hinge left

**Accessories**

- 1 x Turntable, 1 x grid

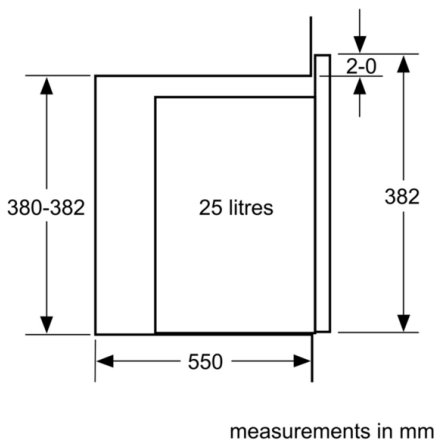
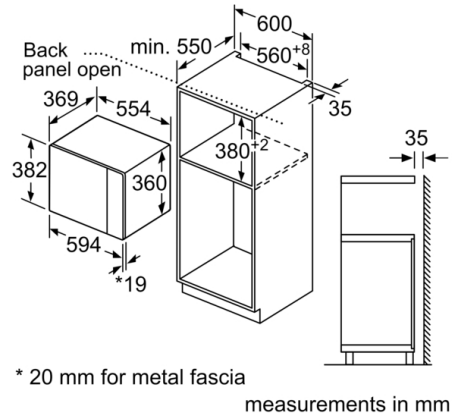
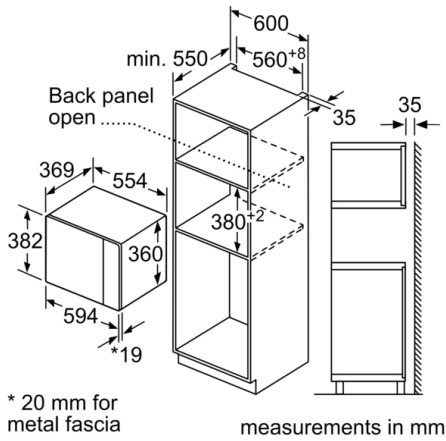
**Environment and Safety**

- Automatic switch off  
Door contact switch
- Integral cooling fan

**Technical Info**

- Length of mains cable: 130 cm
- Electrical connection rating: 1450 W
- Nominal voltage: 230 - 240 V
- Suitable for tall housing installation

**Series 6, Built-in Microwave Oven, 59 x 38 cm, Stainless steel  
BEL554MS0B**



Microwave,  
corner installation

